



Sps "j orj i an uoTer end faueri"
teqniki e qspertizi s da proeqti rebis departamenti
saproeqto samsaxuri

mTawmi nda-krwani si s rai oni . s. zal dastani Svi l i s q. #26.
S.p.s. mk.devel opmenti -s obi eqti s s.k.(# 01.15.05.004.092)
wyal saden-kanal izaci is gare qsel is mowyobi s proeqti .

Tbi l i si 2022

wi namdebare proeqti reba Sesrul ebul i a gare
wyal momarageba-kanal izaci is qsel ebze sani tarul i norme bi s
2.04.02-84 2.04.03-85 Tanaxmad.
samuSaoTa organi zaci a da mi Reba-Cabarebi s norme bi s
3.05.04-85 Tanaxmad.

dakveTa #	#IN22-0701377 (1977-1978)
stadi a	muSa proeqti (mp)

naxazebis uwyisi

# rigze	naxazis dasaxel eba	furc. #
1.	saerTo monacemebi.	wk-1
2.	gegma arsebul i da saproeqto kanal izacis qsel ebi s datani T.	wk-2
3.	saproeqto ganStoebi s Wa.	wk-3
4.	saproeqto ganStoebi s Wa.	wk-4
5.	saproeqto wyal mzomis Wa. mi wis Txril is gani vi kveTi.	wk-5
6.	saproeqto kanal izacis grZivi profil i.	wk-6
7.	saproeqto kanal izacis Wa. mi wis Txril is gani vi kveTi.	wk-7
8.	saproeqto kanal izacis Wa. mi wis Txril is gani vi kveTi.	wk-8

proeqtis ganmarteba

()
 /
 #26 , 01.15.05.004.092
 D160 100 D300 -
 D500 -
 : h- 1.20 .
 : PE10OSDR 11 PN 16 D160/63; - L 100/10 .
 : 1 .
 : 2 .
 : h- 1.50/1.80 .
 : SN8 D150/300; - L 6/74.50 .

saerTo miTiTebebi

- samuSaoebis dawyebamde dazustebul iqnas trasebis gaswvri v sainJinro komuni kaciebis arseboba.
- wi namdebare proeqti Sesrul ebul ia gare wyal momarageba-kanal izacis qsel is C 2.04.02-84 da C 2.04.03-85 mi TiTebebi s Tanaxmad.
- samuSaoTa warmoebis zedamxedvel oba da mi Reba-Cabareba ganxorciel des C 3.05.04-85 mi xedvi T.
- obieqtis saproeqto CarTvebi arsebul qsel ebTan dazustebul i da SeTanxmebul i iqnas S.p.s. "j orj ian uoTer end faueri"-s rai oni s wyal saden-kanal izacis qsel ebi s saeqspl oatacio samsaxurebTan.
- mi wis samuSaoebis warmoebis sas aucil ebel ia geol ogis zedamxedvel oba.
- samontaJo samuSaoebis warmoeba ganxorciel des mil is mwarmoebel i firmi s teqni kuri mi TiTebebi s mi xedvi T.
- samuSaoebis dasrul ebi s Semdeg mi l sadenebi gamoi cados dawesebul i normebi s Tanaxmad.

* H=1,5

formati	stadia	varianti
A3	m.p.	1

pirobiTi aRni Svnebi:

- asfal tis gza
- qvi Sa-xreSovani fena
- RorRis fena
- adgil obrivi grunti
- qvi Si s fena

Seni Svnebi


- samuSaoebis warmoebis sas dacul i iqnas usaf rTxoebis wesebi .
- gamagreba moewyos H=1.50 m CaRrmavebi s Semdeg.
- Txril is gaTxris dros saval debul oa geol ogis daswreba.

damkveTi

S.p.s. mk. devel opmenti

dakveTa #IN22-0701377 (1977-1978)

Semsrul ebel i



S.p.s."j orj ian uoTer end faueri"
 teqni kuri eqsperti zis da proeqti rebi s departamenti -saproeqto samsaxuri
 Tbil isi, medea (mzia) j uRel is quCa #10.

sap. axal i mi er. sam. ufrosi	s. j afari Ze	
proeqtis xel mZRvanel i	n. imnaZe	
Seasrul a	n. imnaZe	
Seamowma	s. j afari Ze	

mTawmi nda-krwani si s rai oni . s. zal dastani Svil is q. #26.
 S.p.s. mk.devel opmenti-s obieqtis s.k.(#01.15.05.004.092) wyal saden-kanal izacis gare qsel is mowyobis proeqti.

Tari Ri noemberi 2022

naxazi

saerTo monacemebi

masStabi	furcel i #	furcl ebi
----	wk-1	8



pi robi Ti aRni Svnebi

<ul style="list-style-type: none"> ⊙ wyal arinebis arsebul i Wa ⊗ wyal arinebis sademontaJo Wa ⊕ wyal arinebis gasauqmebel i Wa ⊖ wyal arinebis saproeqto Wa ⊙ wyal sadeni s arsebul i Wa ⊗ wyal sadeni s sademontaJo Wa ⊕ wyal sadeni s gasauqmebel i Wa ⊖ wyal sadeni s saproeqto Wa ⊙ wyal mzomis saproeqto Wa ⊙ saproeqto saxanZro hi dranti ⊙ sani aRvre arsebul i Wa ⊙ sani aRvre gverdmi mRebi Wa ⊙ sani aRvre cxauri ⊙ daudgenel i komuni kaci s Wa ⊙ ganaTebis boZi ⊙ el . sadenebis boZi 	<ul style="list-style-type: none"> — wyal arinebis arsebul i mil i - - - wyal arinebis sademontaJo mil i — wyal arinebis gasauqmebel i mil i - - - wyal arinebis saproeqto mil i — wyal sadeni s arsebul i mil i - - - wyal sadeni s sademontaJo mil i - - - wyal sadeni s gasauqmebel i mil i - - - wyal sadeni s saproeqto mil i — ars. sani aRvre mil i — ars. gabsadeni s mil i (mi wqVS.) — ars. gabsadeni s mil i (sah.) — ars. el eqrto kabel i (mi wqVS.) — ars. el eqrto kabel i (sah.) — ars. internetis kabel i
--	--

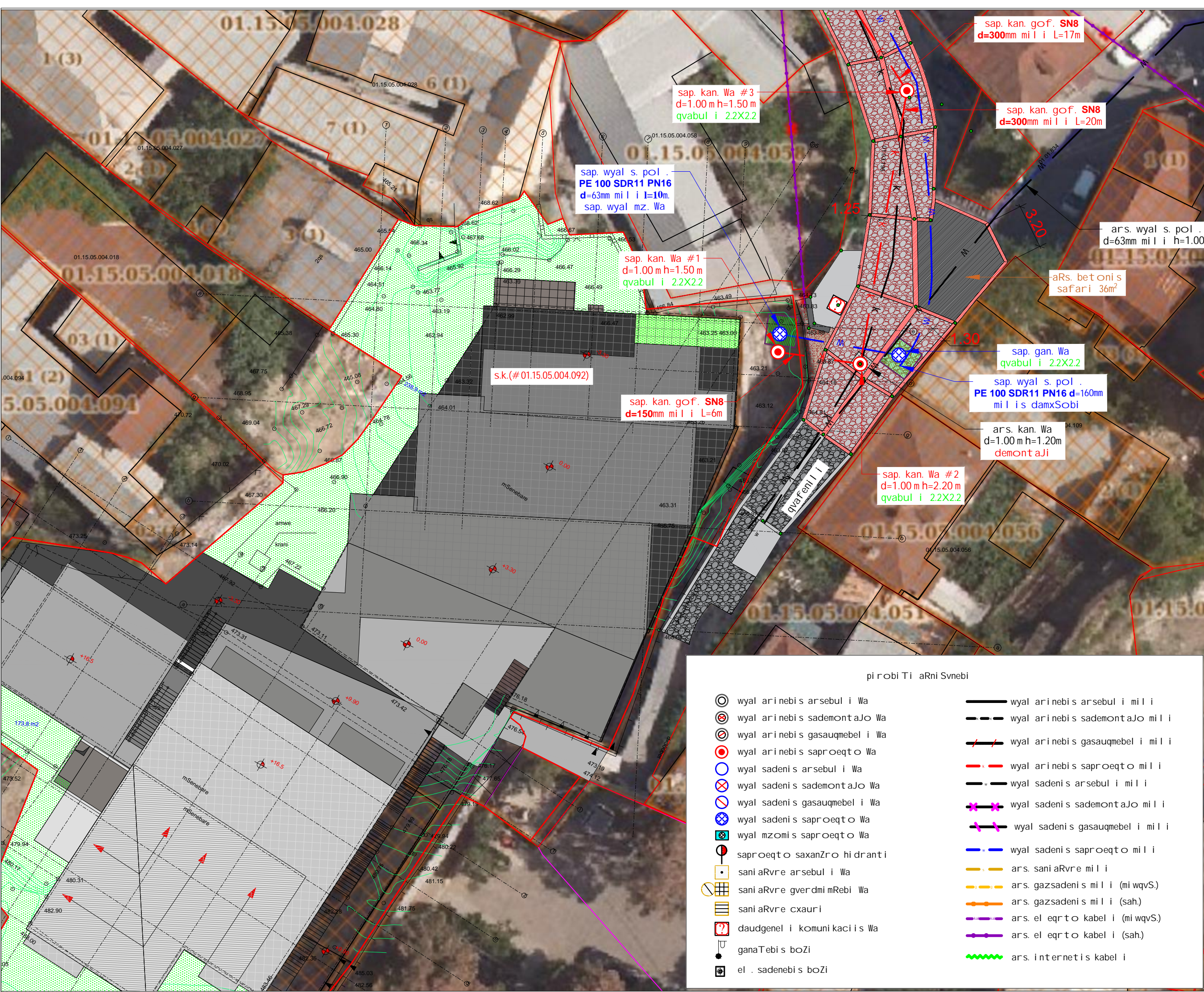
formati	stadia	varianti
A3	m.p.	1

pi robi Ti aRni Svnebi:

	obi eqt is wi Tel i xazebi
	qvabul i
	aRs. asfal tis safari
	asfal tis konturi
	adgil obrivi grunti
	xreSovani safari
	qvafenil i
	aRs. qvafenil is safari
	betonis safari
	aRs. betonis safari

- Seni Svna:**
- saproeqto qsel is mSenebl obi sas maqsi marul ad i qnas dacul i qanobis si zuste proeqt irebis mi xedvi T. saproeqto kanal izaci is qsel is mowyobandes dazust ebul i i qnas mi wi sqveSa gamaval i yvel a saxi s komuni kaci a.
 - mSenebare qsel is mowyobi sas aRmoCeni l i wyal arinebis ganStoebebi daerTdes sap. qsel ze.

dankveTi		
S.p.s. mk. devel opmenti		
dakveTa	# IN22-0701377 (1977-1978)	
Semsrul ebel i		
<p>S.p.s. "j orj ian uoTer end faueri" teqniku ri eqspert izis da proeqt irebis depar tamenti -saproeqto samsaxuri Tbil isi, medea (mZla) j uRel is quCa #10.</p>		
sap. axal i mi er. sam. ufrosi	s. j afari Ze	
proeqt is xel mZRvanel i	n. imnaZe	
Seasrul a	n. imnaZe	
Seamowma	s. j afari Ze	
mTawmi nda-krwani sis rai oni . s. zal dastani Svil is q. #26. S.p.s. mk.devel opmenti-s obi eqt is s.k.(#01.15.05.004.092) wyal saden-kanal izaci is gare qsel is mowyobis proeqti.		
Tari Ri	noemberi 2022	
naxazi		
gegma arsebul i da saproeqto wyal saden-kanal izaci is qsel ebis datani T.		
masStabi	furcel i #	furcl ebi
1:500	wk-2	8



formati	stadia	varianti
A3	m.p.	1

pi robi Ti aRni Svnebi:

- obiectis wi Tel i xazebi
- qvabul i
- aRs. asfal tis safari
- asfal tis konturi
- adgil obrivi grunti
- xreSovani safari
- qvafenil i
- aRs. qvafenil is safari
- betonis safari
- aRs. beton is safari

Seni Svna:

- saproeqto qsel is mSenebl obi sas maqsimarul ad i qnas dacul i qanobis si zuste proeqt irebis mi xedvi T. saproeqto kanal izacis qsel is mowyobandes dazust ebul i i qnas mi wi sqveSa gamaval i yvel a saxi s komuni kaci a.
- mSenebare qsel is mowyobis aRs moCeni l i wyal arinebis ganStoebebi daerTdes sap. qsel ze.

dankveTi

S.p.s. mk. devel opmenti

dakveTa # IN22-0701377 (1977-1978)

Semsrul ebel i

S.p.s. "j orj ian uoTer end faueri"
teqnkurti eqspertizis da proeqt irebis departamenti -saproeqto samsaxuri
Tbilisi, medea (mZla) juRel is quCa #10.

sap. axal i mir. sam. ufrosi	s. jafariZe
proeqtis xel mZRvanel i	n. imnaZe
Seasrula	n. imnaZe
Seamowma	s. jafariZe

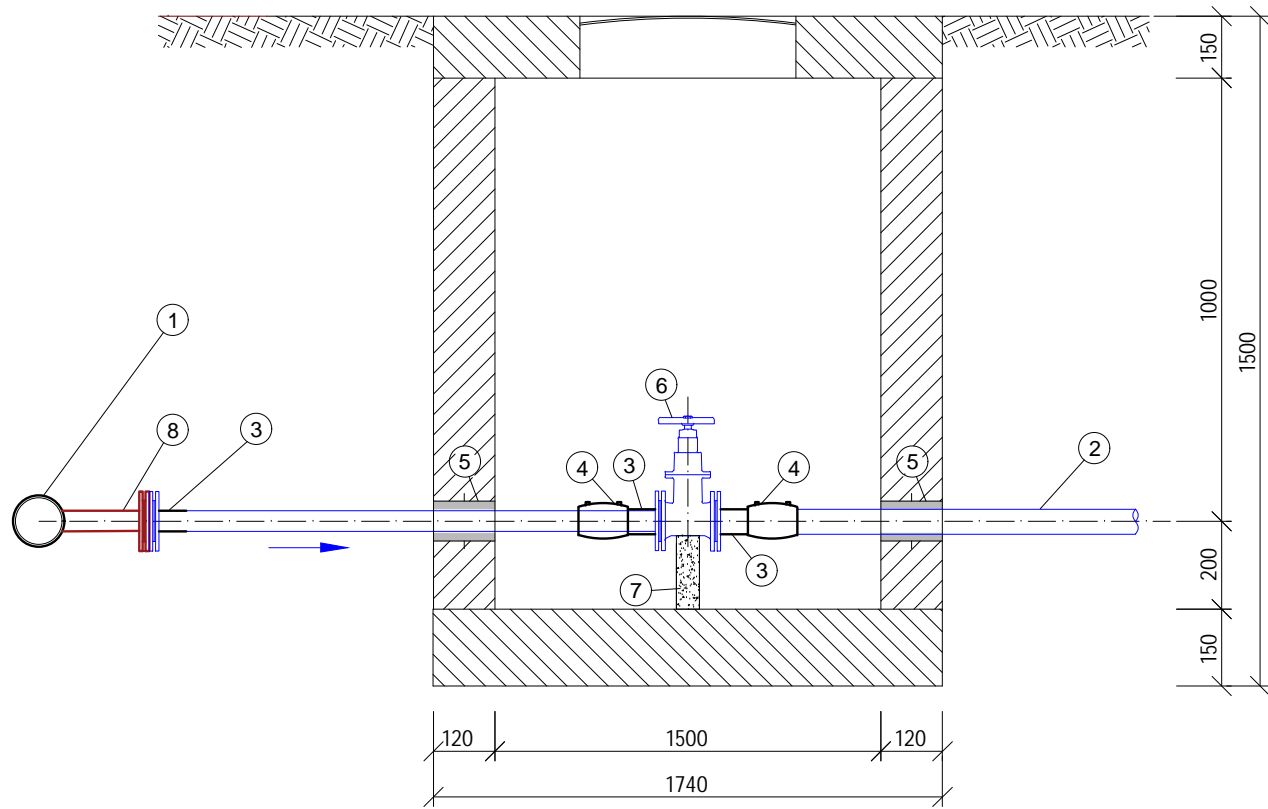
mTawmi nda-krwani sis rai oni . s. zal dastani Svil is q. #26.
S.p.s. mk.devel opmenti-s obiectis s.k.(#01.15.05.004.092) wyal saden-kanal izacis gare qsel is mowyobis proeqti.

Tari Ri	noemberi 2022
naxazi	
gegma arsebul i da saproeqto wyal saden-kanal izacis qsel ebis datani T.	
masStabi	furcl i # furcl ebi
1:500	wk-2 8

pi robi Ti aRni Svnebi

⊙ wyal arinebis arsebul i Wa	— wyal arinebis arsebul i mili
⊗ wyal arinebis sademontaJo Wa	- - - wyal arinebis sademontaJo mili
⊕ wyal arinebis gasauqmebel i Wa	/// wyal arinebis gasauqmebel i mili
⊙ wyal arinebis saproeqto Wa	- - - wyal arinebis saproeqto mili
⊙ wyal sadenis arsebul i Wa	- - - wyal sadenis arsebul i mili
⊗ wyal sadenis sademontaJo Wa	✖ wyal sadenis sademontaJo mili
⊕ wyal sadenis gasauqmebel i Wa	✖ wyal sadenis gasauqmebel i mili
⊙ wyal sadenis saproeqto Wa	— wyal sadenis saproeqto mili
⊕ wyal mzomis saproeqto Wa	— ars. sani arvre mili
⊙ saproeqto saxanZro hidranti	— ars. gazzadeni s mili (mi wqvS.)
⊙ sani arvre arsebul i Wa	— ars. gazzadeni s mili (sah.)
⊙ sani arvre gverdmi mRebi Wa	— ars. el eqrto kabel i (mi wqvS.)
⊙ sani arvre cxauri	— ars. el eqrto kabel i (sah.)
⊙ daudgenel i komuni kaci is Wa	— ars. internetis kabel i
⊙ ganaTebis boZi	
⊙ el . sadenebis boZi	

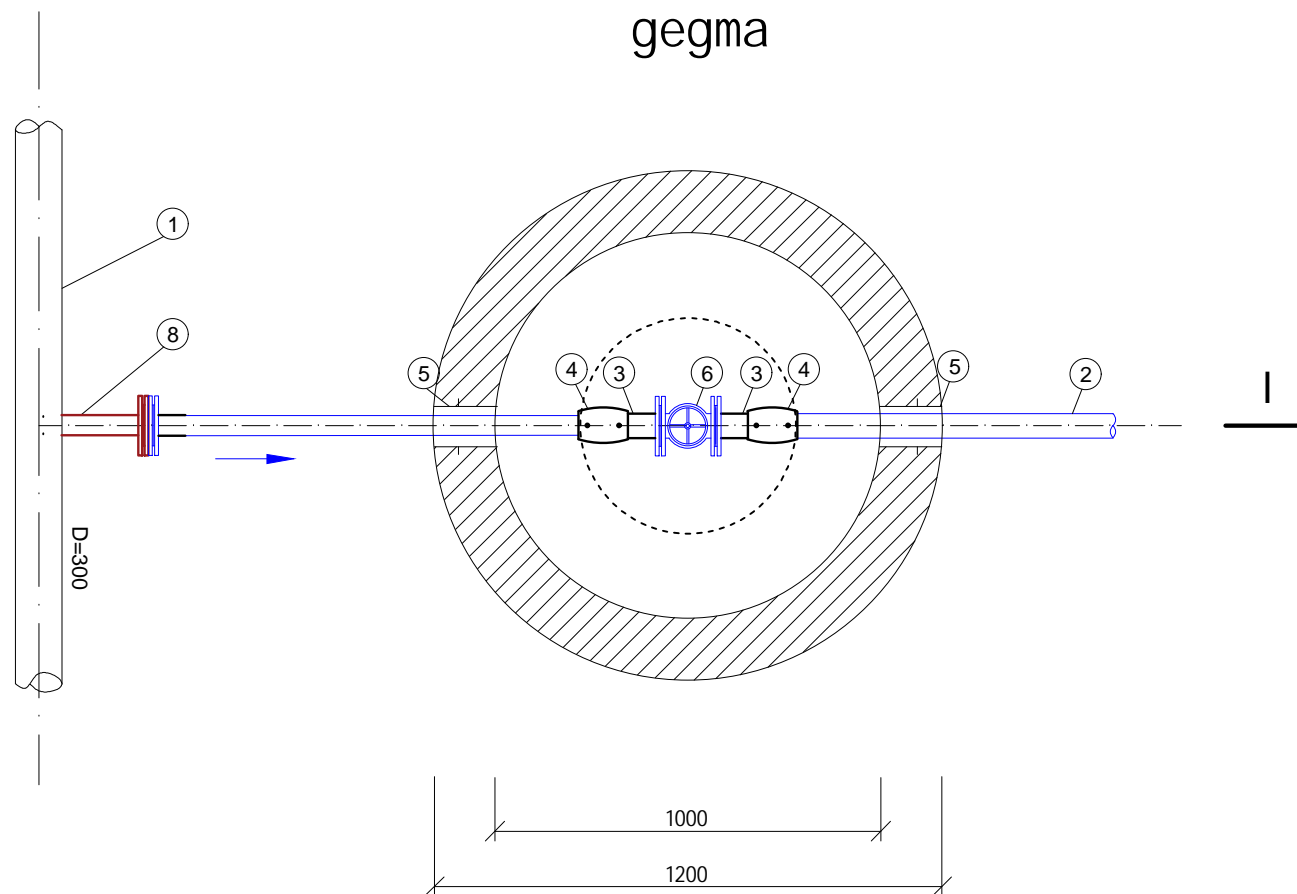
saproeqtoganStoebis Wa Wrili I-I



eqspl ikacia

1. ars. Tuj is mili $d=300$ mm mili;
2. sap. pol ieTinel is mili PE100 SDR11 PN16 $d=160$ mm;
3. pol ieTil enis adaptori mil tuCiT $d=160$ mm;
4. pol ieTil enis SemaerTebel i el . quro $d=160$ mm;
5. Cobal i $d=273$ mm;
6. urdul i $d=150$ mm;
7. sayrdeni fol adis mili $d=150$ mm liTonis furcl iT;
8. sap. fol adis mil yel i mil tuCiT $d=150$ mm liTonis furcl iT;
9. unirevsal uri quro-unagiri $d=300/150$ mm

gegma



formati	stadia	varianti
A3	m.p.	1

pirobiTi aRni Svnebi:

- asfal tis gza
- qvi Sa-xreSovani fena
- RorRis fena
- adgil obrivi grunti
- qvi Si s fena

Seni Svnebi

1. samuSaoebis warmoebis sas dacul i i qnas usafrTxoebis wesebi .
2. gamagreba moewyos $H=1.50$ m CaRrmavebis Semdeg.
3. Txrili s gaTxris dros saval debul oa geol ogis daswreba.

damkveTi

S.p.s. mk. devel opmenti

dakveTa

#IN22-0701377
(1977-1978)

Semsrul ebel i



S.p.s."j orjian uoTer end faueri"
teqnikuri eqspertizis da proeqtorebis
depar tamenti -saproeqto samsaxuri
Tbil isi, medea (mzia) j uRel is quCa #10.

sap. axal i mi er. sam. ufrosi	s. j afari Ze	
proeqtis xel mZRvanel i	n. imnaZe	
Seasrul a	n. imnaZe	
Seamowma	s. j afari Ze	

mTawmi nda-krwani sis rai oni . s. zal dastani Svili s q. #26.
S.p.s. mk.devel opmenti -s obieqtis s.k.(#01.15.05.004.092)
wyal saden-kanal izaci is gare qsel is mowyobis proeqti .

Tari Ri

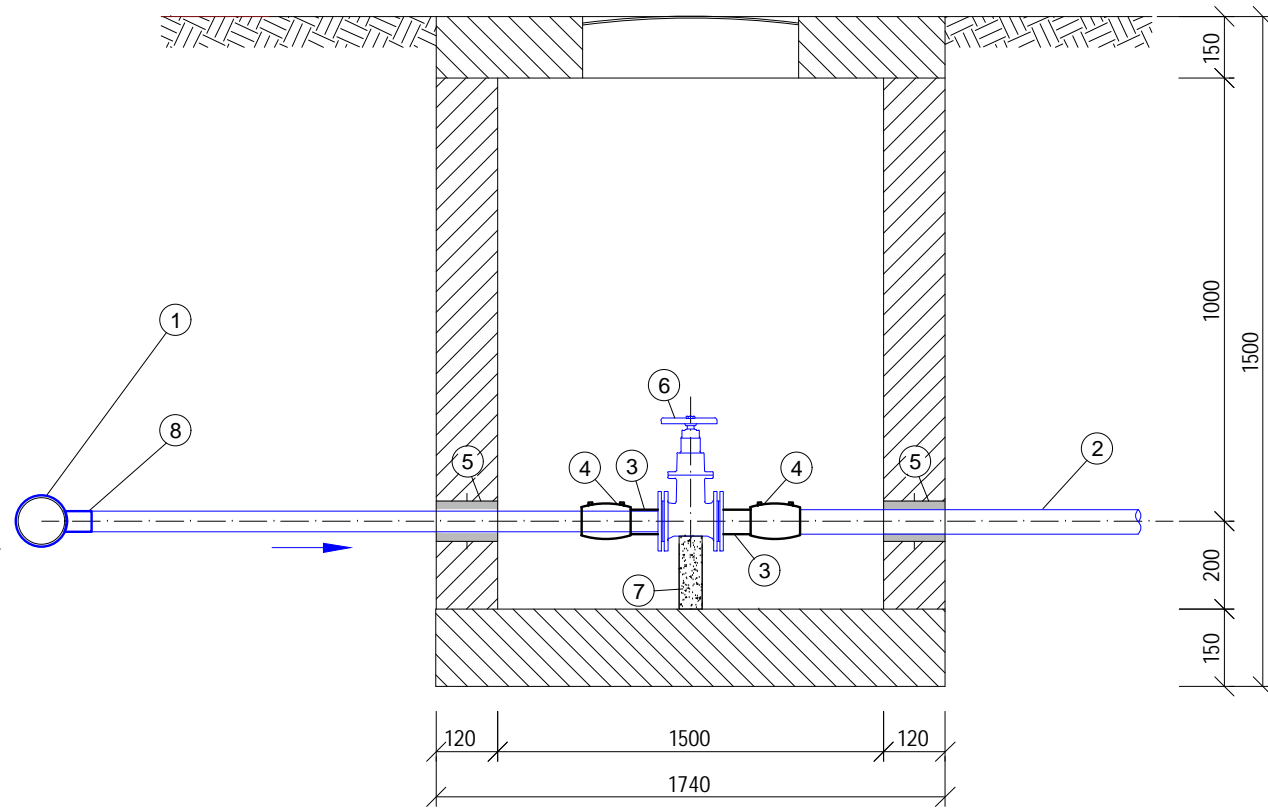
noember i 2022

naxazi

sap. ganStoebis Wa.
saproeqtoganStoebis Wa.

masStabi	furcel i #	furcl ebi
----	wk-3	8

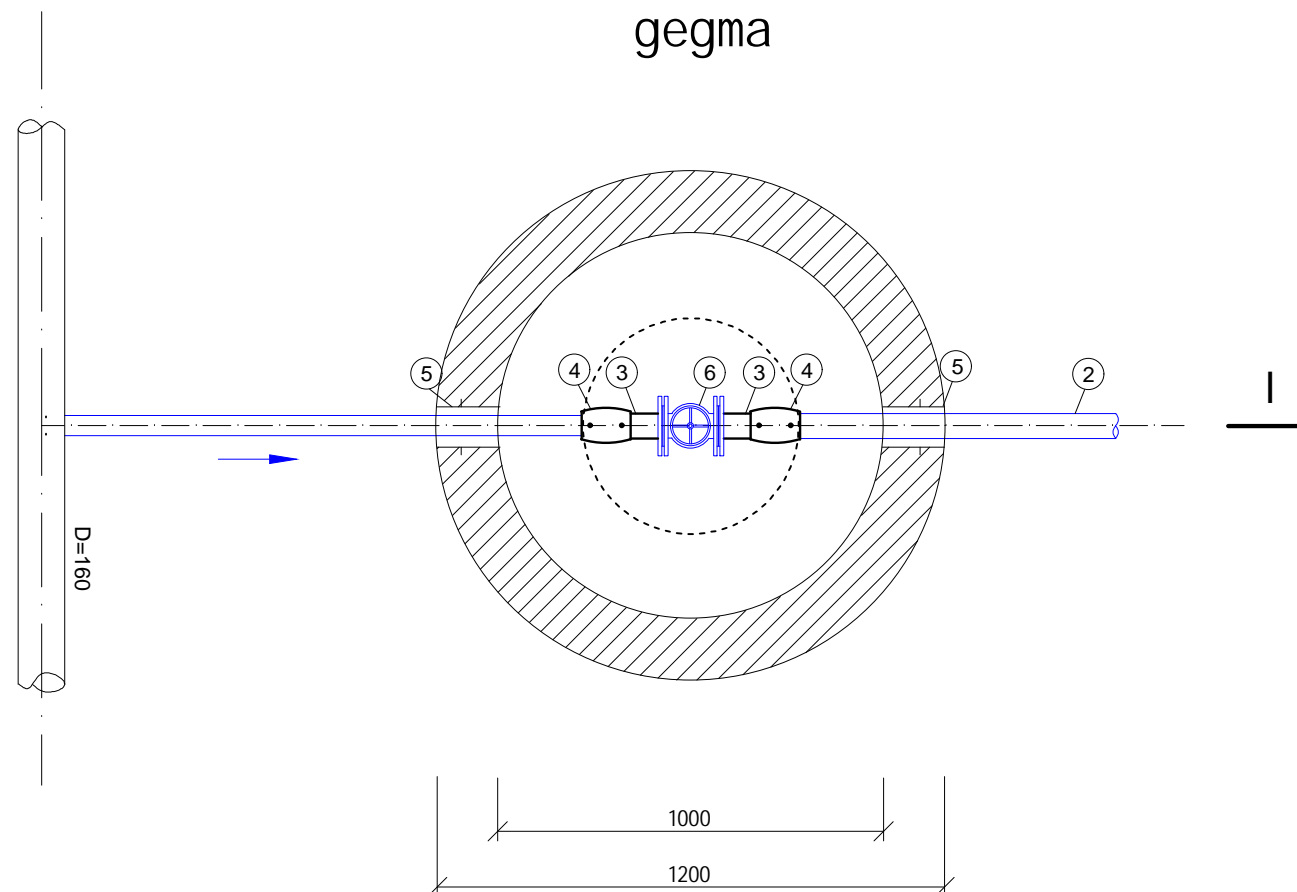
saproeqt o ganStoebis Wa Wrili I-I



eqspl ikacia

1. ars. pol . mil i d=160 mm mil i;
2. sap. pol ieTinel is mil i PE100 SDR11 PN16 d=63 mm;
3. pol ieTil enis adaptori mil tuCiT d=63 mm;
4. pol ieTil enis SemaerTebel i el . quro d=63 mm;
5. Cobal i d=140 mm;
6. urdul i d=50 mm;
7. sayrdeni fol adis mil i d=50 mm liTonis furcl iT;
8. pol . samkapi d=160/63/mm;

gegma



formati	stadia	varianti
A3	m.p.	1

pi robi Ti aRni Svnebi:

- asfal tis gza
- qvi Sa-xreSovani fena
- RorRis fena
- adgil obrivi grunti
- qvi Si s fena

Seni Svnebi

1. samuSaoebis warmoebis sas dacul i i qnas usafrTxoebis wesebi .
2. gamagreba moewyos H=1.50 m CaRrmavebis Semdeg.
3. Txril is gaTxris dros saval debul oa geol ogis daswreba.

damkveTi

S.p.s. mk. devel opmenti

dakveTa

#IN22-0701377
(1977-1978)

Semsrul ebel i



S.p.s."j orjian uoTer end faueri"
teqni kurti eqspertizis da proeqt irebis
depar tamenti -saproeqto samsaxuri
Tbil isi, medea (mzia) j uRel is quCa #10.

sap. axal i mi er. sam. ufrosi	s. j afaRi Ze	
proeqtis xel mZRvanel i	n. imnaZe	
Seasrul a	n. imnaZe	
Seamowma	s. j afaRi Ze	

mTawmi nda-krwani sis rai oni . s. zal dastani Svili s q. #26.
S.p.s. mk.devel opmenti -s obieqtis s.k.(#01.15.05.004.092)
wyal saden-kanal izaci is gare qsel is mowyobis proeqti .

Tari Ri

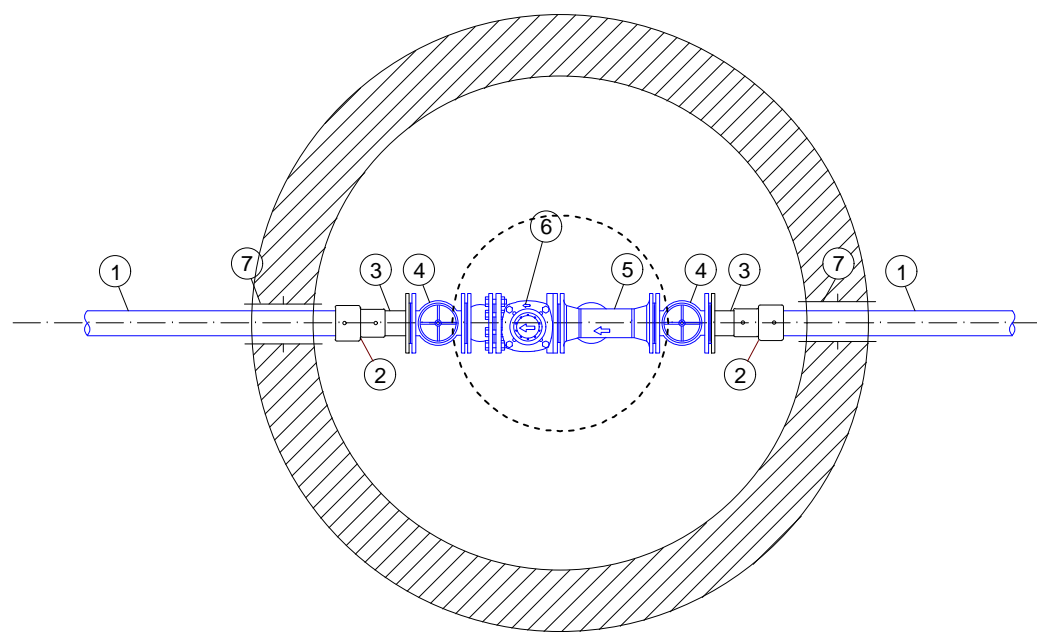
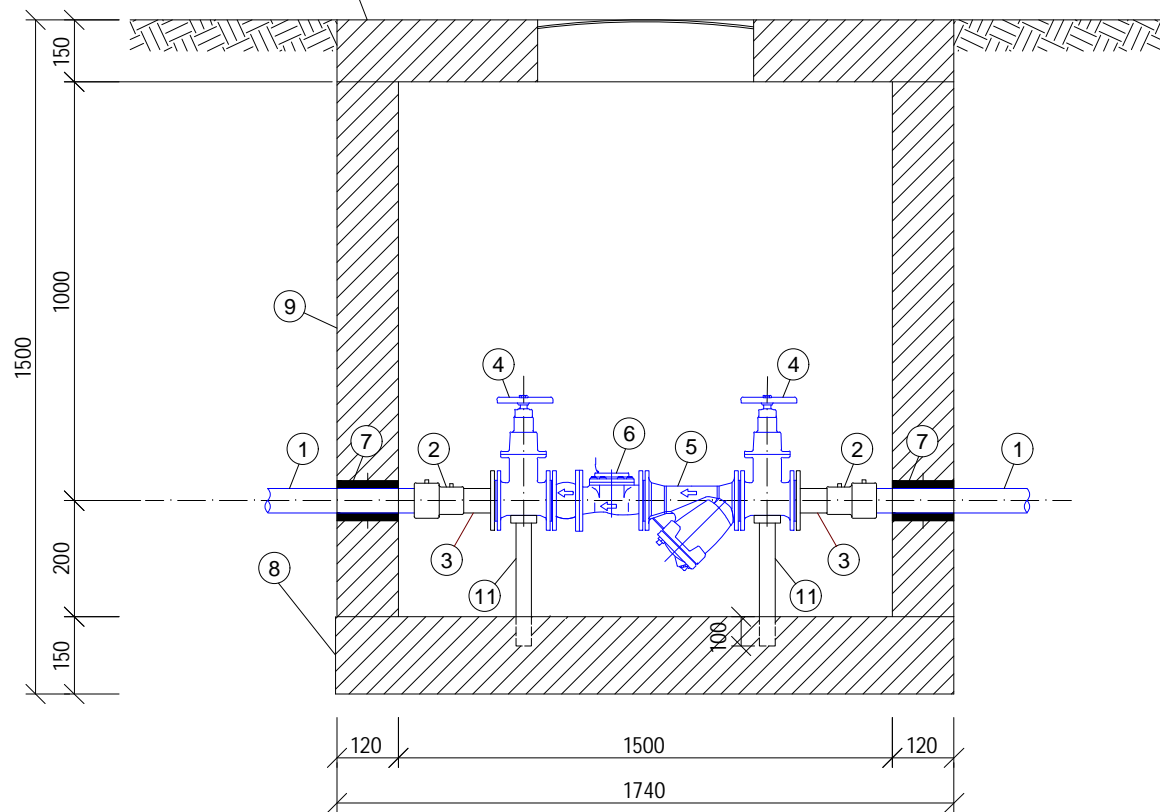
noember i 2022

naxazi

sap. ganStoebis Wa.
saproeqt o urdul iT.

masStabi	furcel i #	furcl ebi
----	wk-4	8

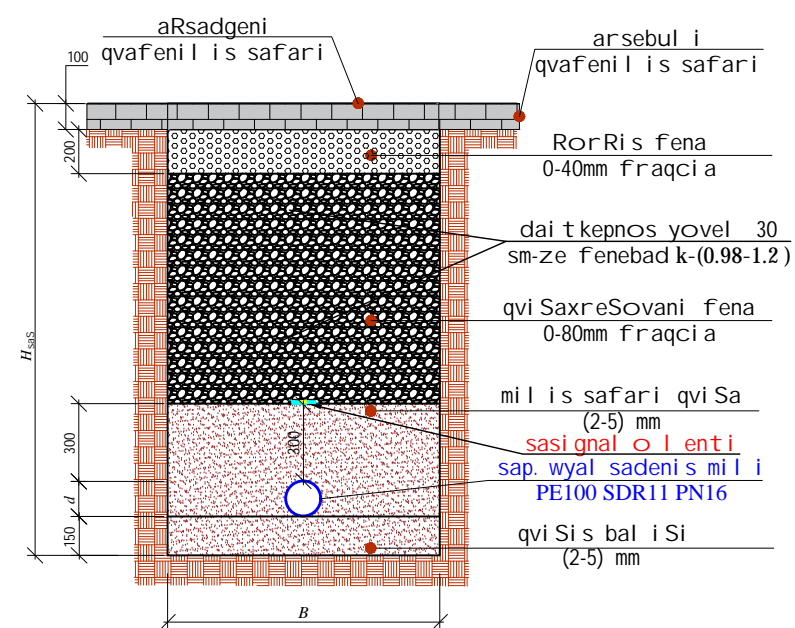
saproeqto wyal mzomi s Wa d=1.50 m h=1.50 m



eqspl i kaci a:

1. saproeqto pol ietil enis mi li PE100 PN16 SDR.11 - Ø63 mm.
2. pol ietil enis SemaerTebel i el . quro d=63 mm
3. pol ietil enis adaptori mi l tuCiT d=63 mm
4. urdul i DN=50 mm.
5. fil tri DN=50 mm.
6. wyal mzomi DN=50 mm.
7. Cobal i d=140 mm.
8. Wis Ziris rki na-betonis fil a.
9. Wis rki na-betonis kedel i .
10. Wis gadaxurvis rki na-betonis fil a Tuj is xufiT.
11. sayrdeni fol adis mi l i d=50 mm l iTonis furcl iT.

**wyal sadeni s mi wi s
Txril is gani vi kveTi**



#	d	H _{saS}	B	h _{saS}	L (m)
1	160	1200	700	290	100
2	63	1200	700	387	10

formati	stadi a	varianti
A3	m.p.	1

pi robi Ti aRni Svnebi:

- asfal tis gza
- qvi Sa-xreSovani fena
- RorRis fena
- adgil obrivi grunti
- qvi Si s fena

Seni Svnebi

1. samuSaoebi s warmoebi sas dacul i i qnas usafrTxoebi s wesebi .
2. gamagreba moewyos H=1.50 m CaRrmavebi s Semdeg.
3. Txril is gaTxris dros saval debul oa geol ogis daswreba.

damkveTi S.p.s. mk. devel opmenti

dakveTa #IN22-0701377 (1977-1978)

Semsrul ebel i

S.p.s."j orjian uoTer end faueri"
teqnikuri eqsperti zis da proeqt i rebi s departamenti -saproeqto samsaxuri
Tbil isi, medea (mzia) j uRel is quCa #10.

sap. axal i mi er. sam. ufrosi	s. j afari Ze	
proeqtis xel mZRvanel i	n. imnaZe	
Seasrul a	n. imnaZe	
Seamowma	s. j afari Ze	

mTawmi nda-krwani si s rai oni . s. zal dastani Svil is q. #26.
S.p.s. mk.devel opmenti -s obieqtis s.k.(#01.15.05.004.092)
wyal saden-kanal izaci is gare qsel is mowyobis proeqti.

Tari Ri noember i 2022
naxazi

sap. wyal mzomi s Wa. mi wi s Txril is gani vi kveTi

masStabi	furcel i #	furcl ebi
----	wk-5	8

kanal izaci is qsel is grZivi profil i
masStabi : v 1:100; h 1:500;

sap. kan. Wa #1
d=1.00m H=1.50m

sap. kan. Wa #2
d=1.00m H=2.20m

sap. kan. Wa #3
d=1.00m H=1.50m

sap. kan. Wa #4
d=1.00m H=1.50m

sap. kan. Wa #5
d=1.00m H=1.50m

sap. kan. Wa #6
d=1.00m H=1.50m

sap. kan. Wa #7
d=1.50m H=3.00m

ars. kan.
d=500mm mil i

sap. kan. gof. SN8
d=150 mm mil i l=6m.

H=445m

mil is masal a diam. si grZe mil is Ziris ni Snul i	sap. kan. gof. SN8 d=300 mm mil i l=20m.						sap. kan. gof. SN8 d=300 mm mil i l=17m.		sap. kan. gof. SN8 d=300 mm mil i l=18.50m.		sap. kan. gof. SN8 d=300 mm mil i l=15m. d=300 mm mil i l=4m.		
mil is CaRrmaveba	1.50	1.90	2.20	1.30	1.50	1.30	1.50	1.30	1.50	1.30	1.50	1.00	3.00
mil is Ziris ni Snul i	461.70	461.63	461.33	457.84	457.64	454.78	454.58	451.73	451.53	449.35	449.15	449.04	447.04
mi wis zedapiris ni Snul i	463.20	463.53		459.14		456.08		453.03		450.65		450.04	
si tuaci a	6.00	20.00		17.00		18.50		15.00		4.00			
qanobi	0.0125	0.1743		0.1682		0.1539		0.1455		0.0282			
si grZe	6.00	20.00		17.00		18.50		15.00		4.00			
kuTxeebi													

formati A3 stadia m.p. varianti 1

pi robi Ti aRni Svnebi :

- asfal tis gza
- qvi Sa-xreSovani fena
- RorRis fena
- adgil obrivi grunti
- qvi Si s fena

Seni Svnebi

1. samuSaoebi s warmoebi sas dacul i i qnas usafrTxoebi s wesebi .
2. gamagreba moewyos H=1.50 m CaRrmavebi s Semdeg.
3. Txril is gaTxris dros saval debul oa geol ogis daswreba.

damkveTi

S.p.s. mk. devel opmenti

dakveTa

#IN22-0701377
(1977-1978)

Semsrul ebel i



S.p.s."j orjian uoTer end faueri"
teqnikuri eqspertizis da proeqtirebi s
deparamenti -saproeqto samsaxuri
Tbil isi, medea (mzia) j uRel is quCa #10.

sap. axal i mi er. sam. ufrosi	s. j afariZe	
proeqtis xel mZRvanel i	n. imnaZe	
Seasrula	n. imnaZe	
Seamowma	s. j afariZe	

mTawmi nda-krwani si s rai oni . s. zal dastani Svli s q. #26.
S.p.s. mk.devel opmenti -s obieqtis s.k.(#01.15.05.004.092)
wyal saden-kanal izaci is gare qsel is mowyobi s proeqti .

Tari Ri

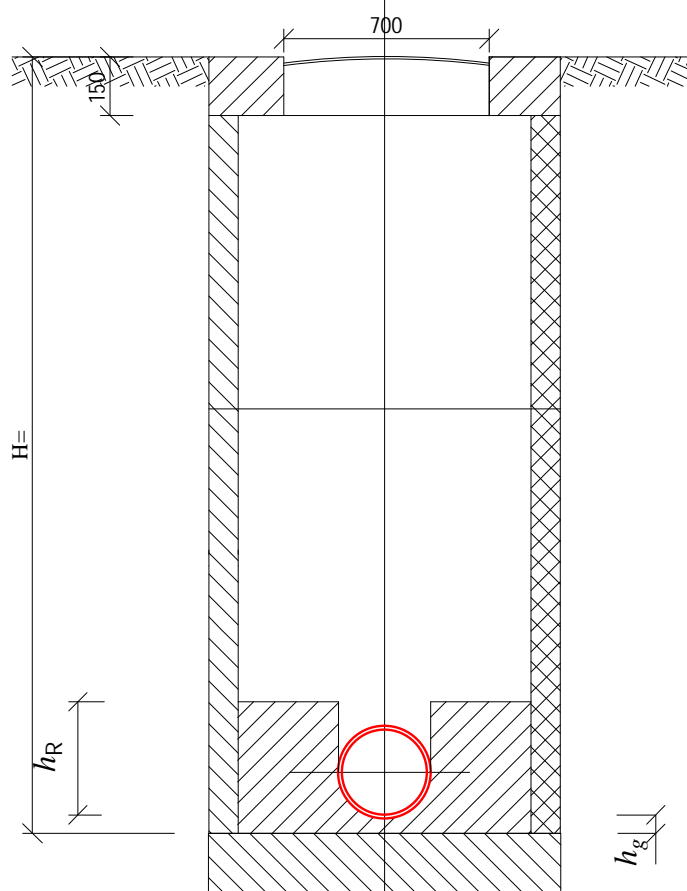
noemberi 2022

naxazi

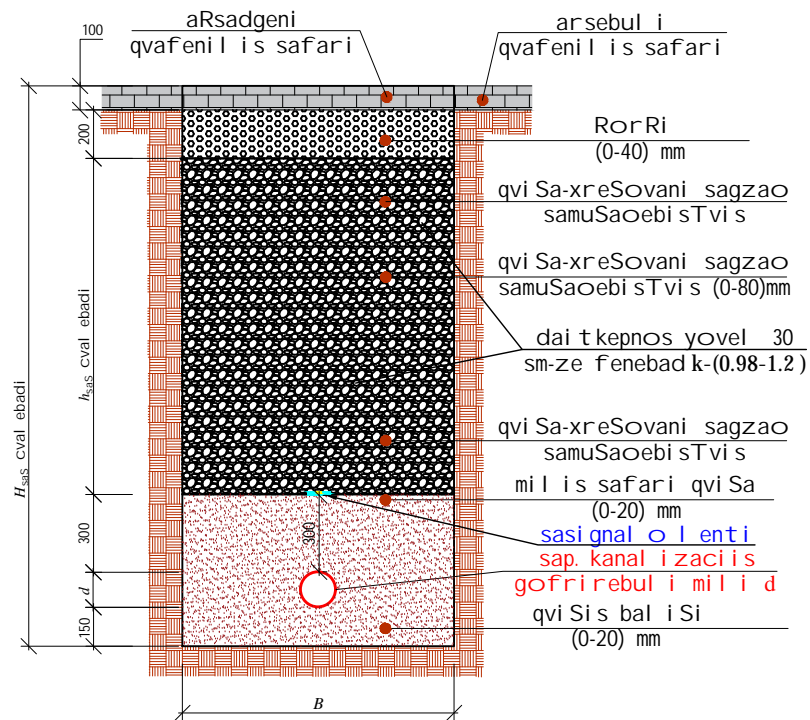
sap. kan. grZivi profil i .

masStabi	furcel i #	furcl ebi
----	wk-6	8

saproeqto kanal izaci is
tipiuri Wa
Wrili I-I



kanal izaci is mi wi s
Txrili s ganivi kveTi



#	d	H _{saS}	B	h _{saS}	L (m)
1	150	1775	1000	875	6
2	300	1825	1000	775	20
3	300	1475	800	425	50.5
4	300	1375	800	275	25

Wis diametri D	mil is diametri		Raris si maRi e h _R	
	Semyvani d _{p1}	gamyvani d _{p2}		
1000	2	3	4	
	100	150	200	
	200	200	300	
	250	250	350	
	300	300	400	
	350	350	450	
	400	400	500	
1500	450	450	550	
	500	500	600	
	600	600	700	
	700	700	800	800
		800	950	950
		900	1050	1050
	800	800	950	950
		900	1050	1050
		1000	1150	1150
	900	900	1050	1050
1000		1150	1150	
2000	1000	1000	1150	

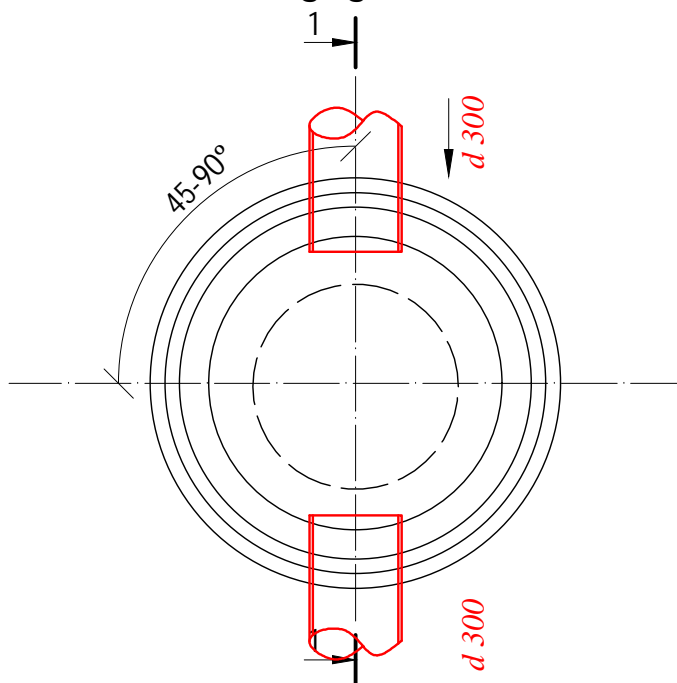
formati A3 stadia varianti m.p. 1

pi robi Ti aRni Svnebi:

- asfal ti s gza
- qvi Sa-xreSovani fena
- RorRis fena
- adgil obrivi grun ti
- qvi Si s fena

- Seni Svnebi**
- samuSaoebi s warmoebi sas dacul i iqnas usafrTxoebi s wesebi .
 - gamagreba moewyos H=1.50 m CaRrmavebi s Semdeg.
 - Txrili s gaTxris dros saval debul oa geol ogi s daswreba.

gegma



h_g - Raris Zirisi s qe, romel ic tolia mil is kedl is si s qes damatebul i 30 mm

Seni Svna:

- naxazebis CamonaTval i xil eT fur. k-1
- cxrili ebSi moyvanilia kanal izaci is tipiuri Webis anal ogi urad.
- Webis diametrebi da Raris CaRrmavebebi SerCeul iqnas Sesabamisi tipis Webis cxrili ebi dan.
- Webis hidroizol acia ganxorciel des Wis gare perimetrze bi Tumi T ara umci resi 2 feni sa saerTo si sqi T 4-5 mm.
- wyal arinebis Txrili s si Rrmis mi xedvi T H-1.7 m da meti samuSaoTa warmoebi s usafrTxoebi s mi zni T movawyod Txrili s ferdebi s gamagreba. ix. gamagrebi s naxazi .
- anakrebi Wis rgol is gadabma ganxorciel des qvi Sa-cementis xsnari T wyal SeuRwevadi danamatis damatebi T B-7 M-100 W8.
- qvi Sa-cementis xsnaris mocul oba dazustdes adgil ze Webis konstruqci ul i el ementebis zedapirebi s si swori sa da geometri ul i zomebi s mi xedvi T.
- ixel mZRvanel eT konstruqci ul i naxazebis mi xedvi T.

damkveTi S.p.s. mk. devel opmenti

dakveTa #IN22-0701377 (1977-1978)

Semsrul ebel i

gwp

S.p.s."j orj ian uoTer end faueri"
teqnikuri eqsperti zis da proeqti rebi s depar tamenti -saproeqto samsaxuri Tbil isi, medea (mzia) j uRel is quCa #10.

sap. axali mer. sam. ufrosi	s. j afari Ze	
proeqtis xel mZRvanel i	n. imnaZe	
Seasrula	n. imnaZe	
Seamowma	s. j afari Ze	

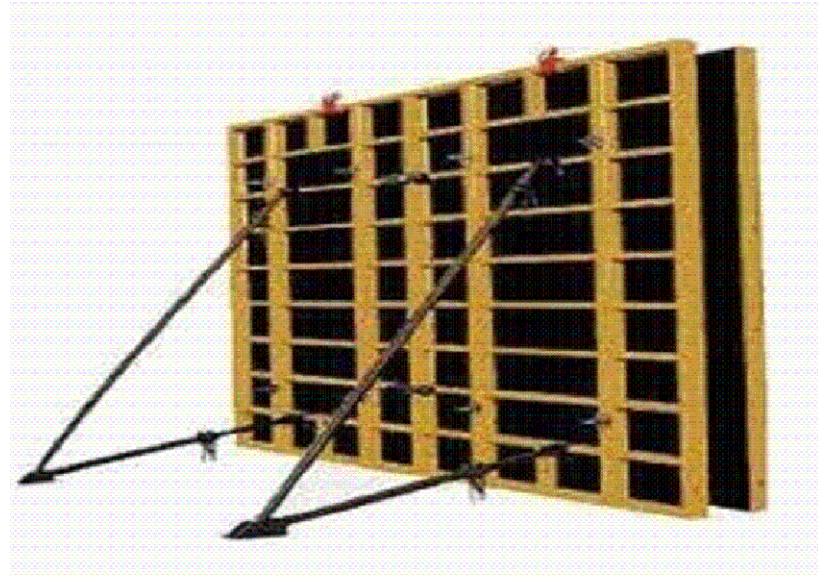
mTawmi nda-krwani si s rai oni . s. zal dastani Svili s q. #26.
S.p.s. mk.devel opmenti -s obieqtis s.k.(#01.15.05.004.092)
wyal saden-kanal izaci is gare qsel is mowyobis proeqti.

Tari Ri noemberi 2022

naxazi

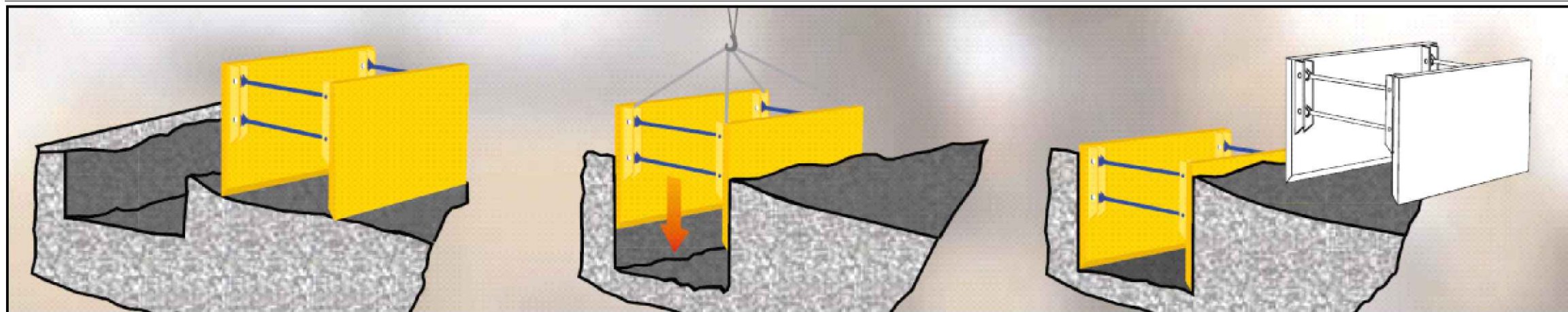
sap. kan. Wa. mi wis Txrili s ganivi kveTi.

masStabi	furcel i #	furcl ebi
----	wk-7	8



\ ~%) !

"



formati	stadia	varianti
A3	m.p.	1

pi robi Ti aRni Svnebi :

-  asfal tis gza
-  qvi Sa-xreSovani fena
-  RorRis fena
-  adgil obrivi grunt i
-  qvi Si s fena

Seni Svnebi

1. samuSaoebi s warmoebi sas dacul i i qnas usafrTxoebi s wesebi .
2. gamagreba moewyos H=1.50 m CaRrmavebi s Semdeg.
3. Txril is gaTxris dros saval debul oa geol ogis daswreba.

damkveTi

S.p.s. mk. devel opmenti

dakveTa

#IN22-0701377
(1977-1978)

Semsrul ebel i



S.p.s."j orj ian uoTer end faueri"
teqni kuri eqsper tizis da proeqt i rebi s
depar tamenti -saproeqto samsaxuri
Tbil isi, medea (mzia) j uRel is quCa #10.

sap. axal i mi er. sam. ufrosi	s. j afari Ze	
proeqt is xel mZRvanel i	n. imnaZe	
Seasrul a	n. imnaZe	
Seamowma	s. j afari Ze	

mTawmi nda-krwani si s rai oni . s. zal dastani Svil is q. #26.
S.p.s. mk.devel opmenti -s obieqtis s.k.(#01.15.05.004.092)
wyal saden-kanal izaci is gare qsel is mowyobis proeqt i.

Tari Ri

noember i 2022

naxazi

saproeqto kanal izaci is mi wi s Txril is gamagrebi s kvanZi .

masStabi	furcel i #	furcl ebi
----	wk-8	8