

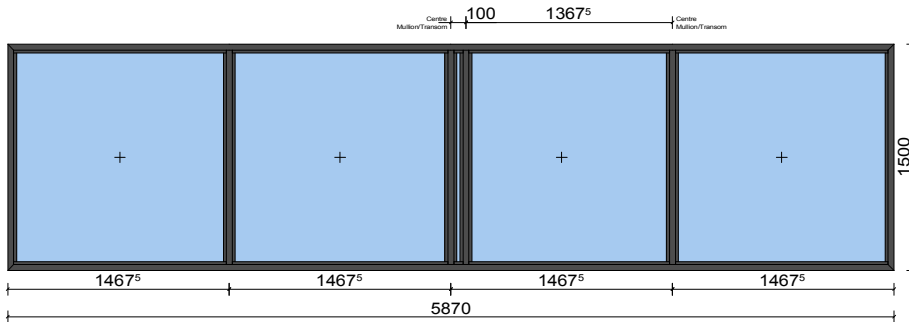
# Position Drawing Inside

Scale: 1 : 50

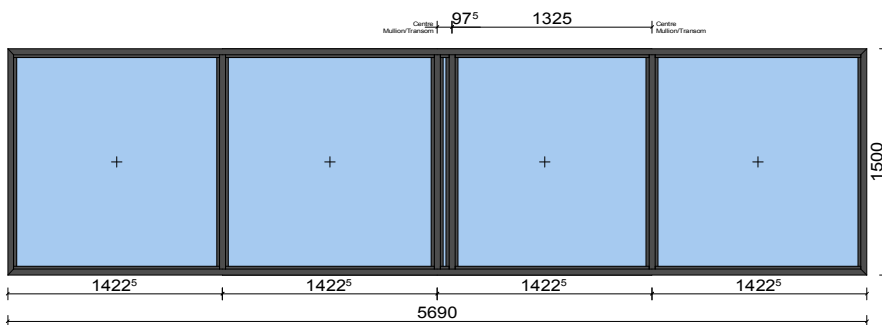
Page:  
Date:  
Time:  
Job:

1  
1/23/2024

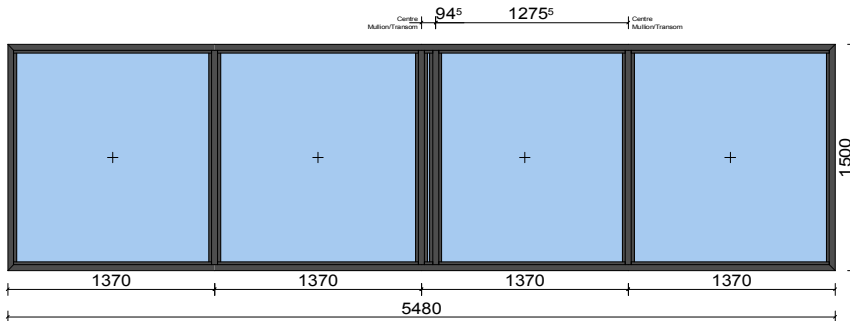
Pos: 1  
Qty: 3 Scale 1:50  
Asas RWT55  
noir-2100, 1.0  $\mu\text{m}$   
Perimeter: 14.7m  
Area: 8.8m<sup>2</sup>



Pos: 2  
Qty: 3 Scale 1:50  
Asas RWT55  
noir-2100, 1.0  $\mu\text{m}$   
Perimeter: 14.4m  
Area: 8.5m<sup>2</sup>



Pos: 3  
Qty: 3 Scale 1:50  
Asas RWT55  
noir-2100, 1.0  $\mu\text{m}$   
Perimeter: 14m  
Area: 8.2m<sup>2</sup>

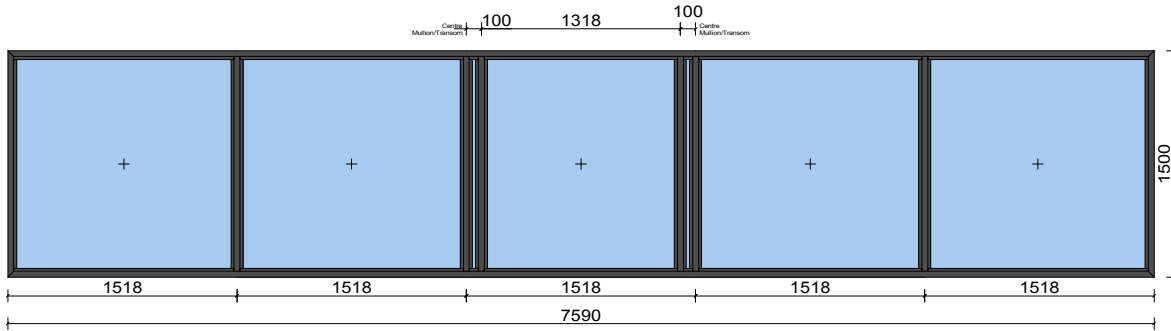


# Position Drawing Inside

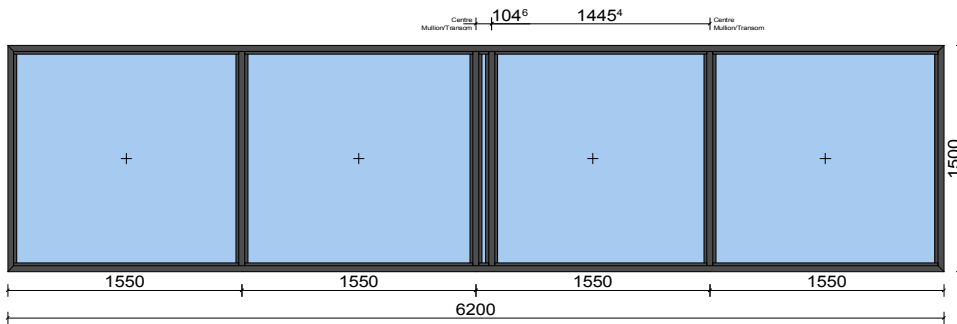
Scale: 1 : 50

Page: 2  
Date: 1/23/2024  
Time: 04:59 pm  
Job:

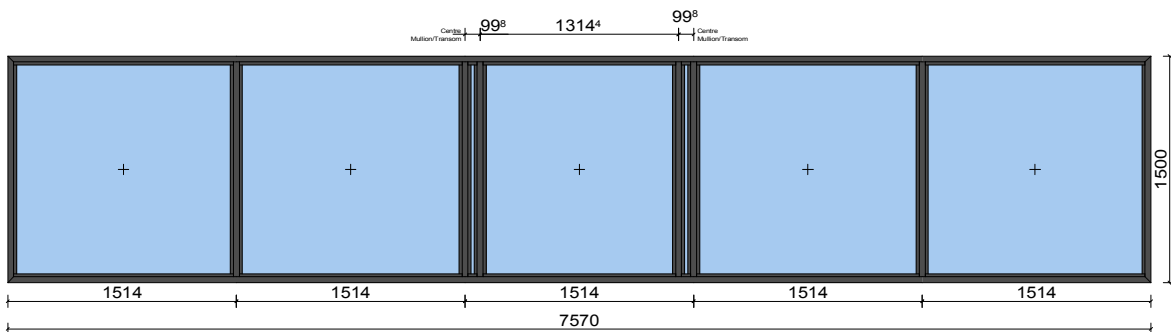
Pos: 4  
Qty: 3 Scale 1:50  
Asas RWT55  
noir-2100, 1.0  $\mu\text{m}$   
Perimeter: 18.2m  
Area: 11.4m<sup>2</sup>



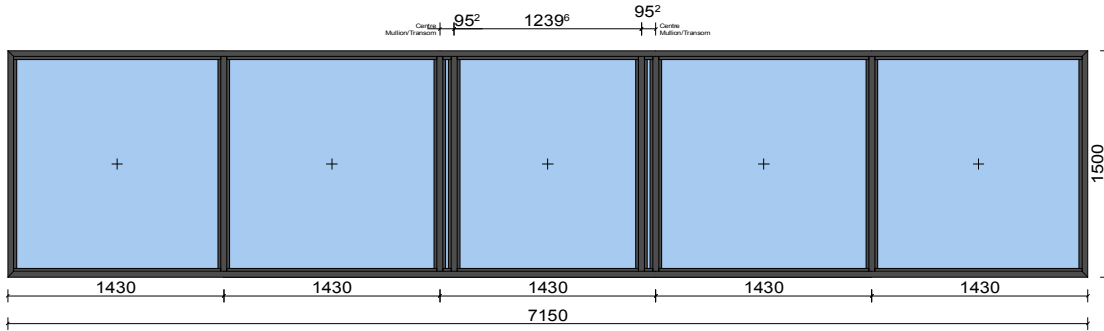
Pos: 5  
Qty: 3 Scale 1:50  
Asas RWT55  
noir-2100, 1.0  $\mu\text{m}$   
Perimeter: 15.4m  
Area: 9.3m<sup>2</sup>



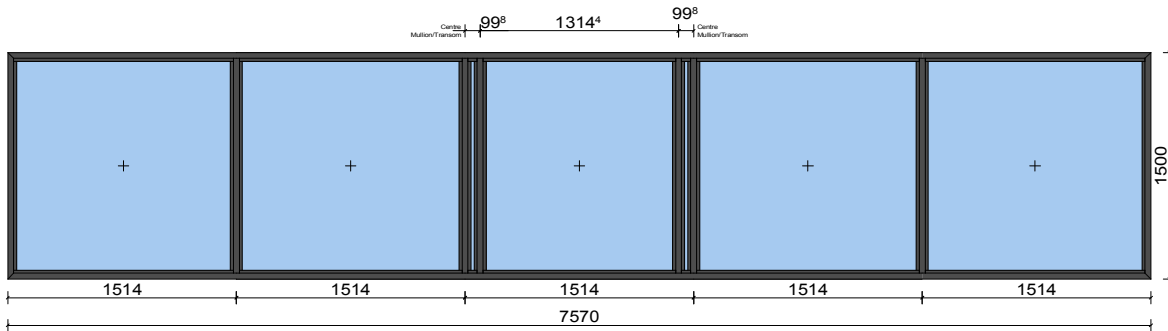
Pos: 6  
Qty: 3 Scale 1:50  
Asas RWT55  
noir-2100, 1.0  $\mu\text{m}$   
Perimeter: 18.1m  
Area: 11.4m<sup>2</sup>



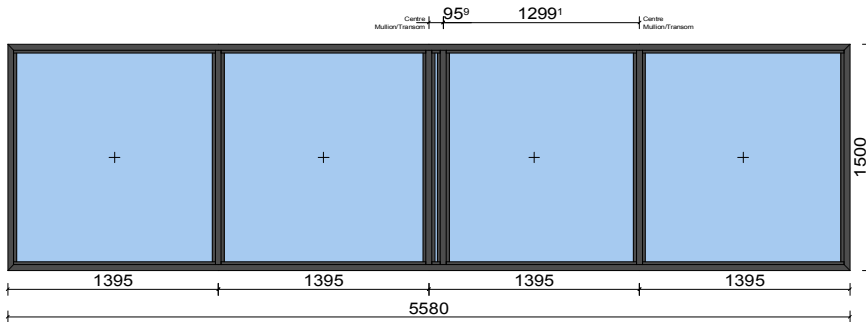
Pos: 7  
Qty: 3 Scale 1:50  
Asas RWT55  
noir-2100, 1.0 µm  
Perimeter: 17.3m  
Area: 10.7m<sup>2</sup>



Pos: 8  
Qty: 3 Scale 1:50  
Asas RWT55  
noir-2100, 1.0 µm  
Perimeter: 18.1m  
Area: 11.4m<sup>2</sup>



Pos: 9  
Qty: 3 Scale 1:50  
Asas RWT55  
noir-2100, 1.0 µm  
Perimeter: 14.2m  
Area: 8.4m<sup>2</sup>

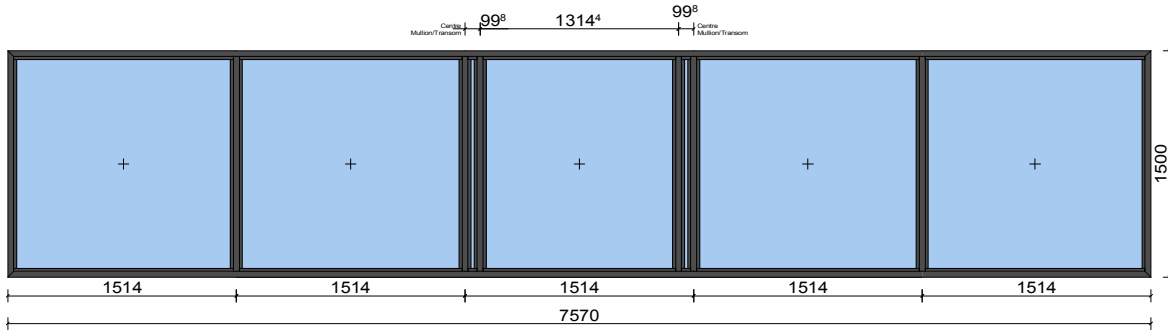


# Position Drawing Inside

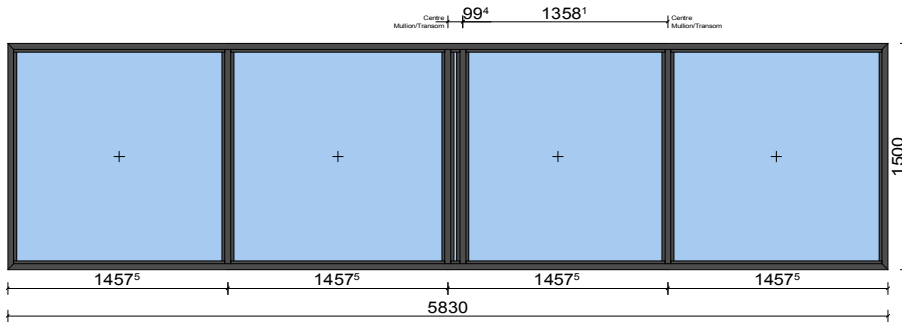
Scale: 1 : 50

Page: 4  
Date: 1/23/2024  
Time: 04:59 pm  
Job:

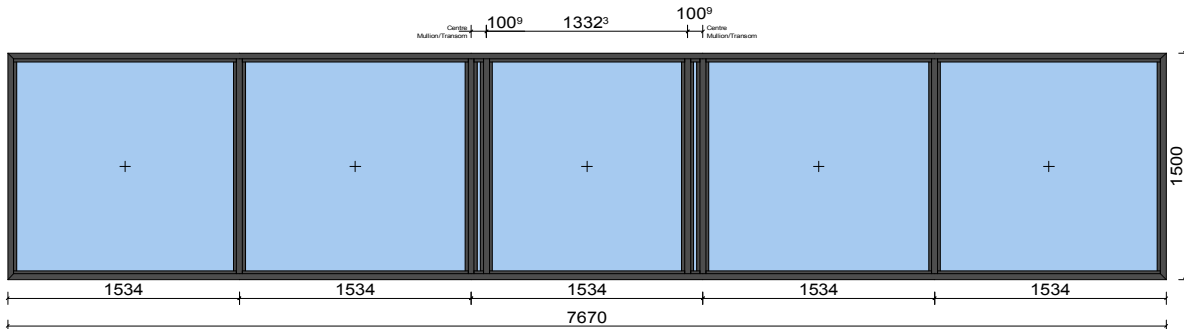
Pos: 10  
Qty: 3 Scale 1:50  
Asas RWT55  
noir-2100, 1.0  $\mu\text{m}$   
Perimeter: 18.1m  
Area: 11.4m<sup>2</sup>



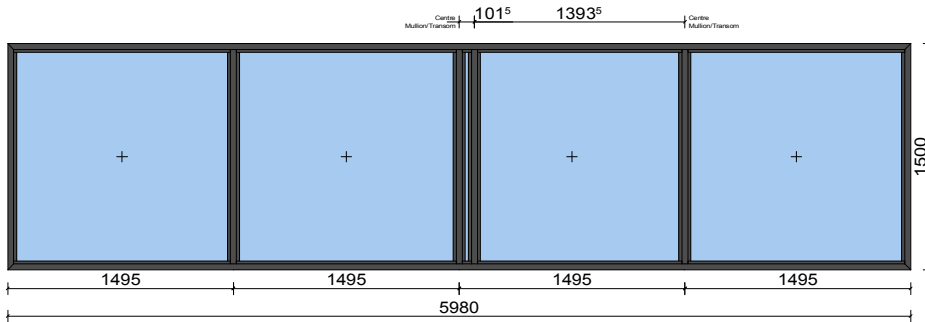
Pos: 11  
Qty: 3 Scale 1:50  
Asas RWT55  
noir-2100, 1.0  $\mu\text{m}$   
Perimeter: 14.7m  
Area: 8.7m<sup>2</sup>



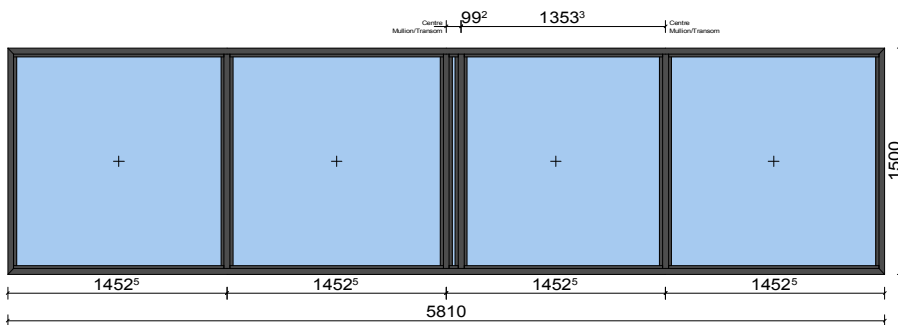
Pos: 12  
Qty: 2 Scale 1:50  
Asas RWT55  
noir-2100, 1.0  $\mu\text{m}$   
Perimeter: 18.3m  
Area: 11.5m<sup>2</sup>



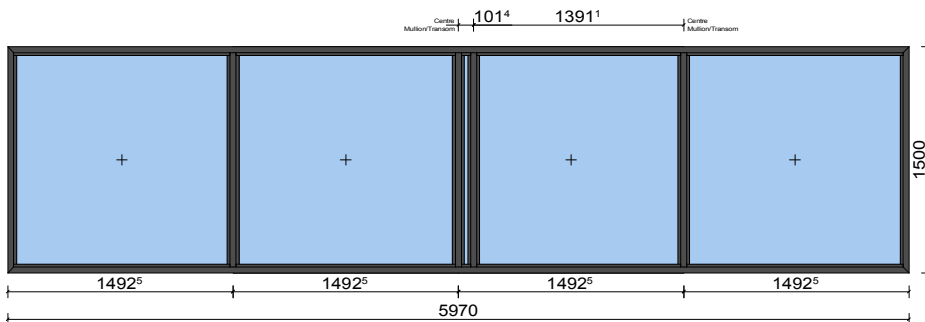
Pos: 13  
Qty: 3 Scale 1:50  
Asas RWT55  
noir-2100, 1.0  $\mu\text{m}$   
Perimeter: 15m  
Area: 9m<sup>2</sup>



Pos: 14  
Qty: 3 Scale 1:50  
Asas RWT55  
noir-2100, 1.0  $\mu\text{m}$   
Perimeter: 14.6m  
Area: 8.7m<sup>2</sup>



Pos: 15  
Qty: 3 Scale 1:50  
Asas RWT55  
noir-2100, 1.0  $\mu\text{m}$   
Perimeter: 14.9m  
Area: 9m<sup>2</sup>



Quantity of Positions: 44  
Total Perimeter: 701.8m  
Total Area: 427.4m<sup>2</sup>